

Thank you for purchasing our  
**Cresco 30SW Fertilizer and  
Salt Spreader | Assembled**



**We're delighted to have you as a customer  
and are here to help! First off, let's get your  
product assembled!**

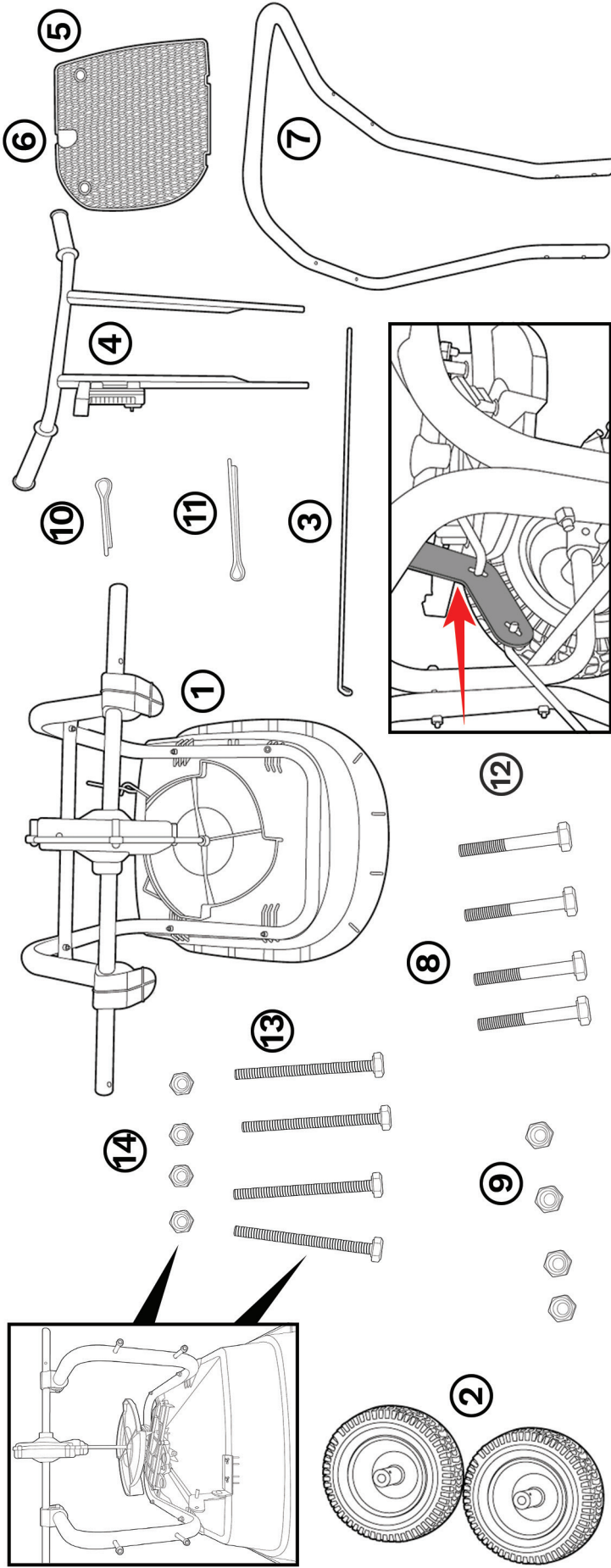
**Table of Contents:**

- 1:** Spare Parts
- 2:** Slide System Explanation
- 3-5:** Assembling your Cresco 30SW
- 6-8:** Slide System Explanation
- 9-12:** How to Use the Cresco 30SW
- 13:** Application guide for fertilisers
- 14:** Warranty

**Scan for video assembly:**



# Spare Parts



**Empty all contents of the box onto a flat surface and count parts to make sure all are there.**

## CRESCO 30 PARTS LIST:

- |                        |                      |                       |
|------------------------|----------------------|-----------------------|
| 1. Hopper Body & Frame | 5. Mesh Grill        | 10. Small Cotter Pin  |
| 2. Pneumatic Wheels    | 6. Mesh Grill Lock   | 11. Large cotter pin  |
| 3. Control Rod         | 7. Back Stand        | 12. Pivot Bracket     |
| 4. Handle Bar          | 8. 4 x M6 x 45 bolts | 13. 4 x M6 x 65 bolts |
|                        | 9. 4 x M6 lock nuts  | 14. 4 x M6 lock nuts  |

**Scan to view and purchase spare parts:**

CR30SWP (Painted Version) CR30SWS (Stainless Steel Version)



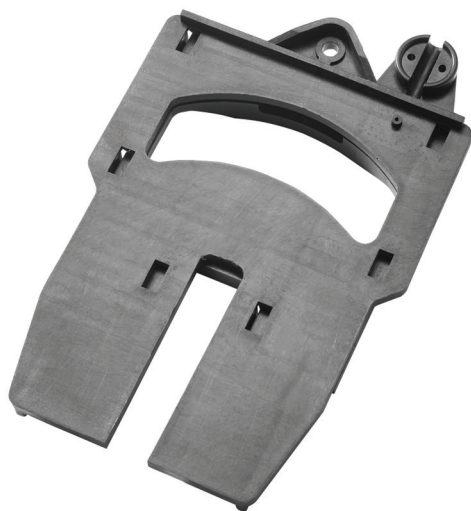
# Slide System **Explanation**

**\*\*\* VERY IMPORTANT \*\*\***

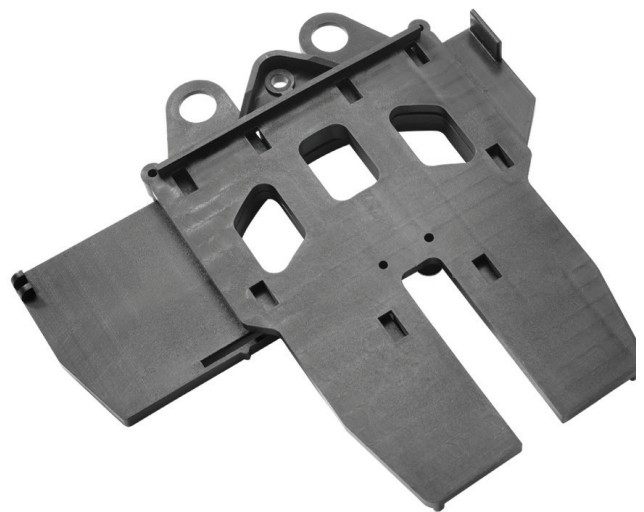
**Your Cresco spreader comes with two different application sliders. One is for winter and the other is for summer!**



**DO NOT SPREAD FERTILIZER WITH THE WINTER SLIDER**



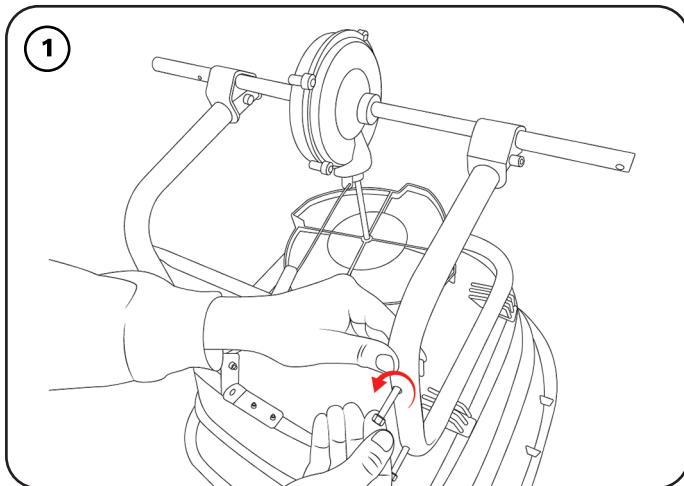
**Winter Slider**



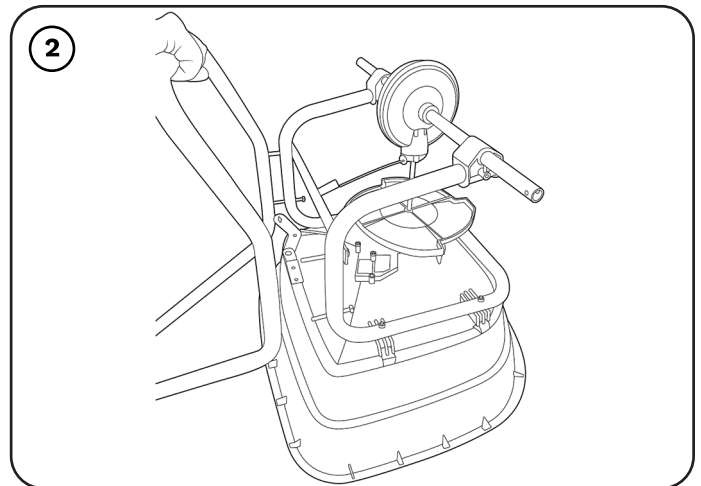
**Summer Slider**

**Please locate and choose your slider.**

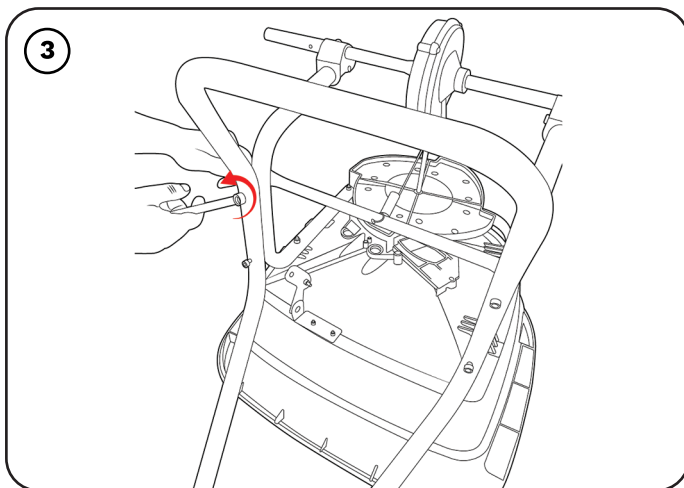
## Assembling your **Cresco 30**



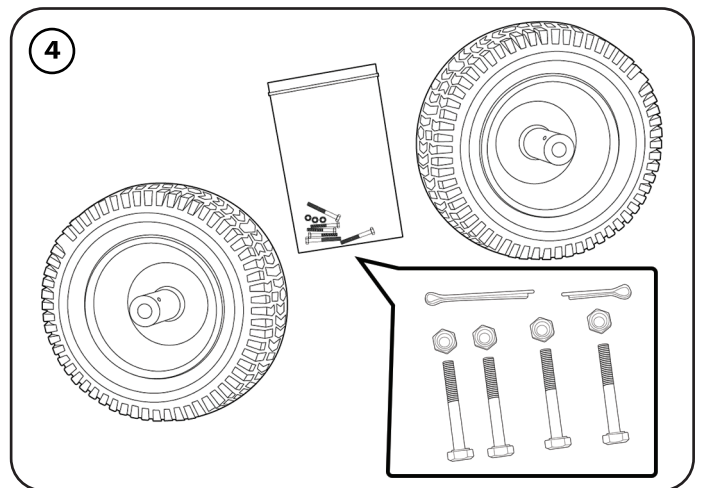
Place the Hopper body (1) on the table so that the gearbox is pointing upwards. Take the bolts out of the main frame (1) - you will use these to attach the backstand to the hopper body and main frame (1). Remove the nuts from the bolt ends.



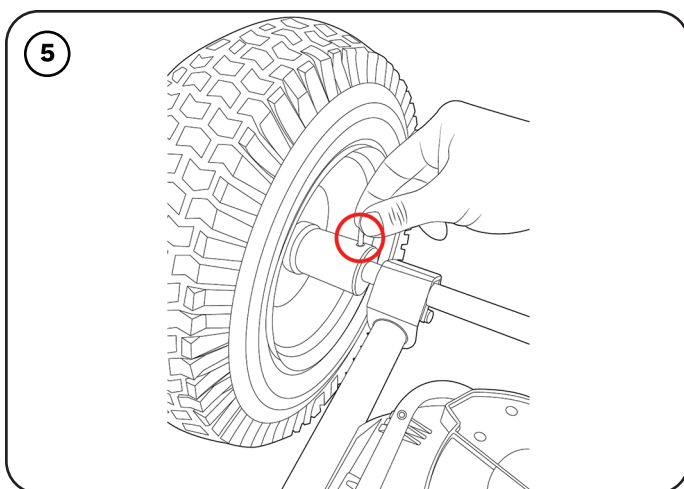
Take the backstand (7) and align it with the holes on the main frame (1). Place the four bolts through the holes available.



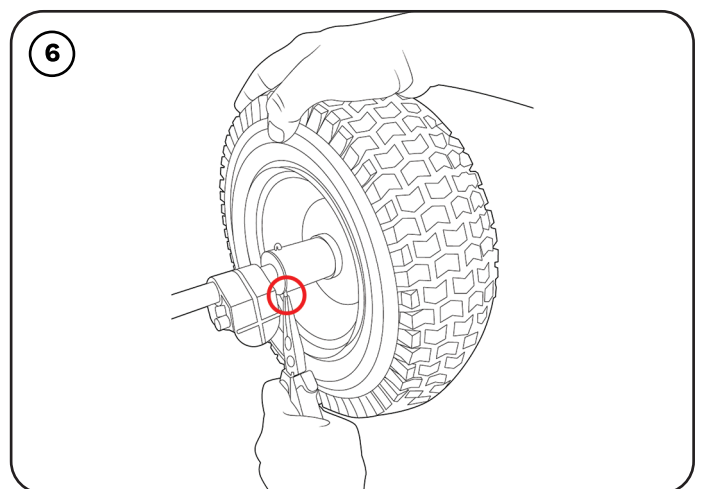
Use a spanner to tighten the lock nuts. The backstand (7) should now be securely attached to the hopper body and frame. (1).



Take the pneumatic wheels (2) and slide them over the axles on each side of the main frame (1). You will also need the two cotter pins (10 & 11) that sit inside the parts bag.

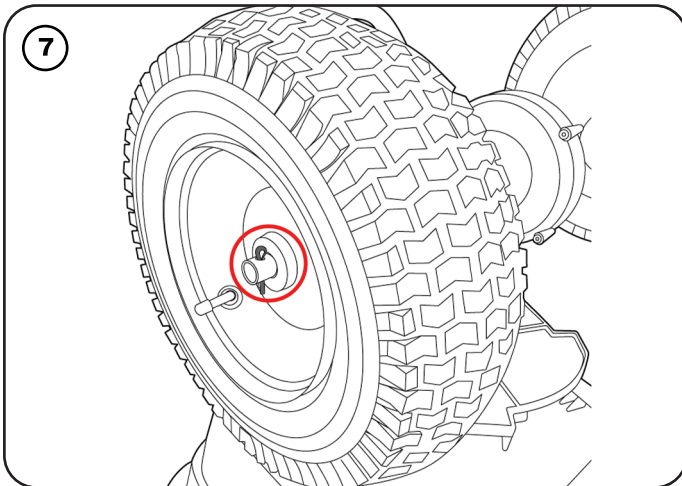


Align the hole on the inside of the pneumatic wheel (2) with the hole on the axle. Take the large cotterpin (11) and thread it through the two holes.

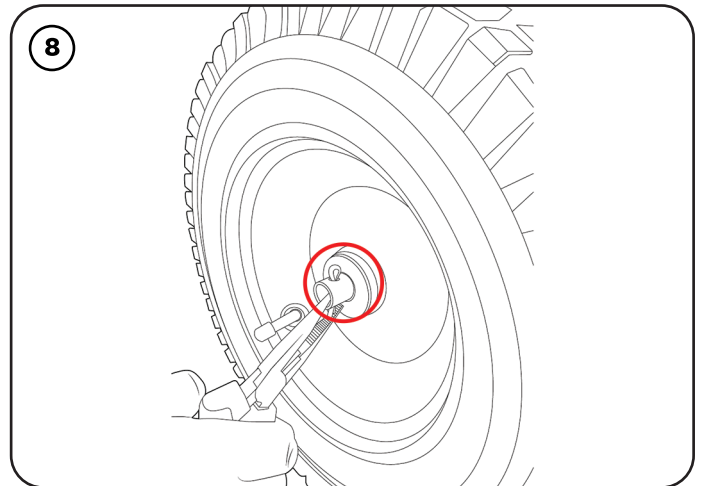


After threading the cotter pin (11) through the two holes, use a pair of pliers to pull apart the two ends of the cotter pin (11). The wheel will then be secured in place.

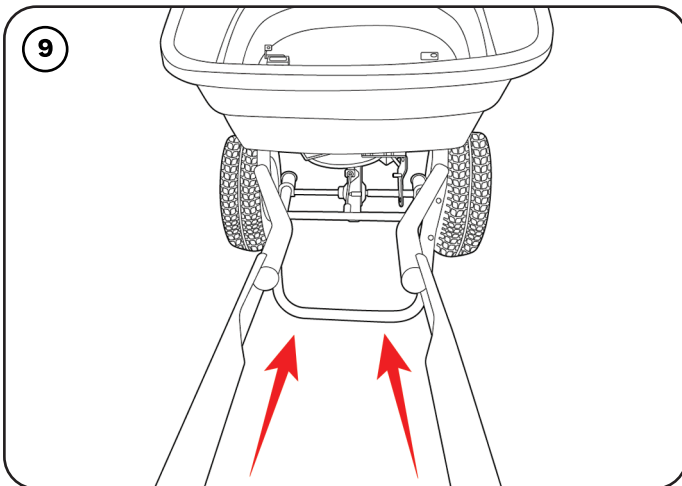
## Assembling your **Cresco 30**



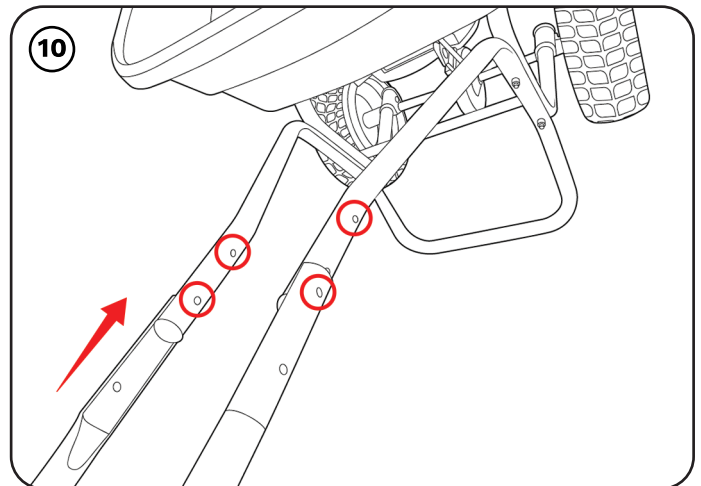
Take the small cotterpin (10) and place it through the hole on the outside of the other wheel.



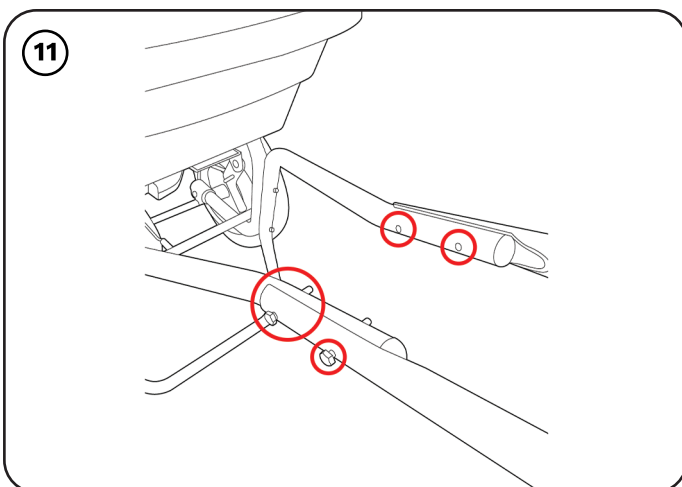
Once in position, use the same pliers to split the ends of the cotter pin (10) to hold the wheel in place.



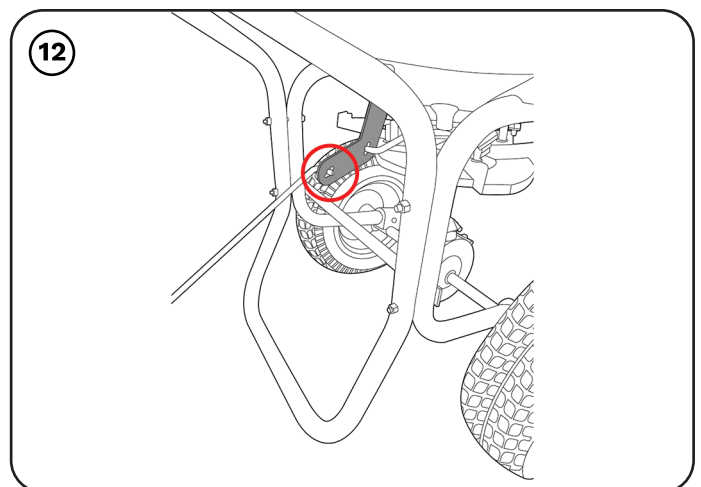
Turn the hopper body and main frame (1) over so that the spreader sits on its wheels and backstand. Take the handle bar and slide it down the two ends of the backstand.



Align the holes on the handle bar and on the back stand (7).

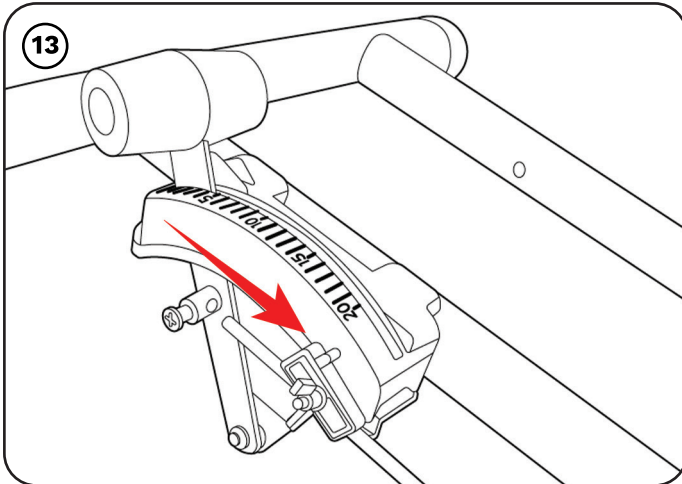


Thread the four remaining bolts (8) through the holes on the handle bar (4) and the back stand (7).

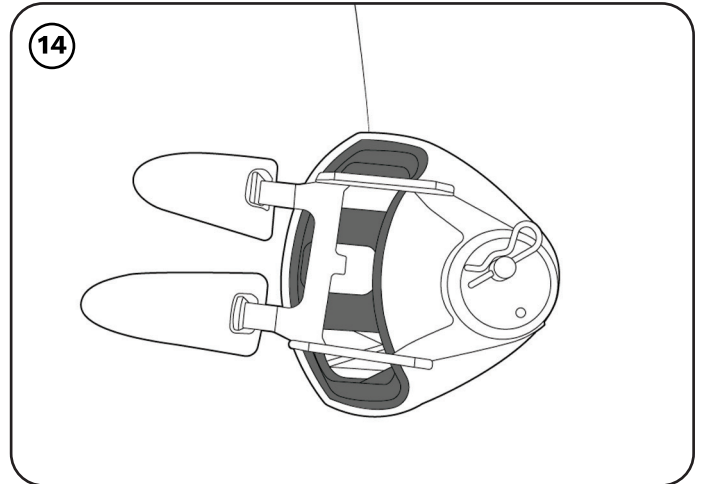


Take the bent end of the control rod (3) and thread it through the hole at the back of the pivot bracket (12). It should lock into place.

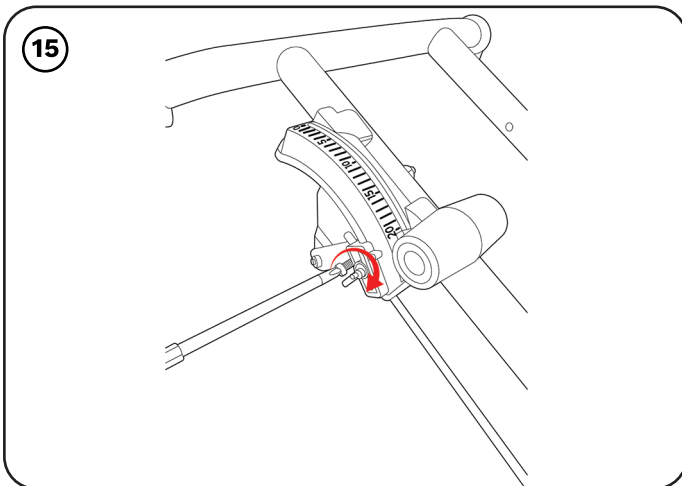
## Assembling your **Cresco 30**



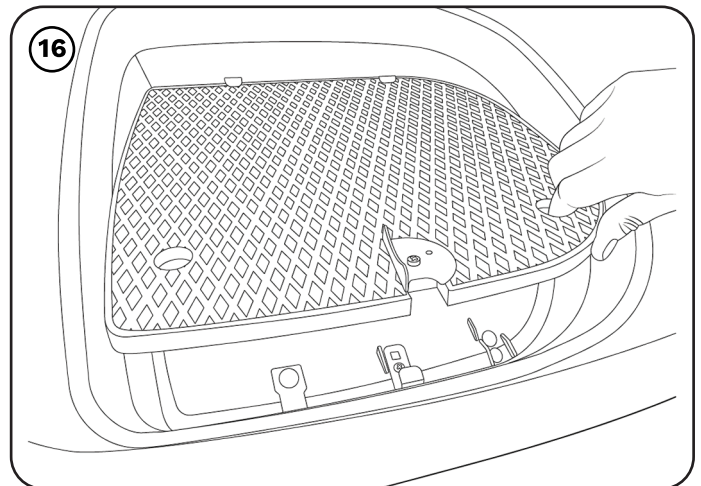
Take the other end of the control rod (3) and align it with the hole on the on/off mechanism of the handle bar (4). Push the on/off lever all the way to 20 and then hand tighten the screw.



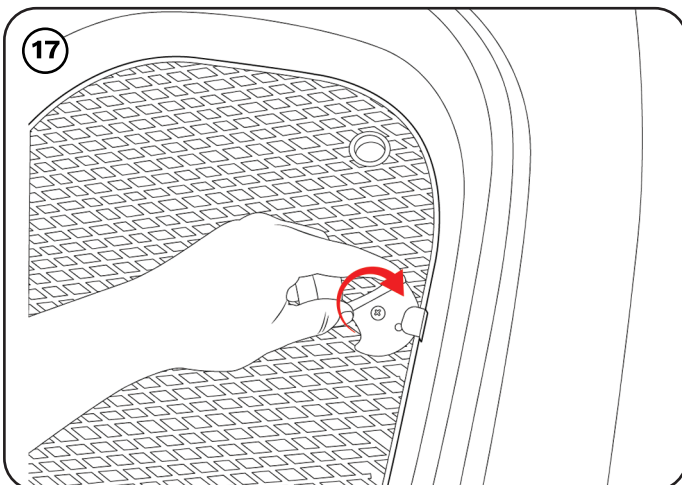
Make sure the slider at the bottom of the hopper is fully open. You should see the entirety of the holes or hole on the slide system.



If the application hole is fully open and the lever is set at 20, tighten the screw so that the control rod (3) is secure.



To fit the mesh grill (5) to the hopper, place the side which doesn't have the mesh grill lock (6) on in the brackets provided on the far side of the hopper.



Lock the grill (5) in place by turning the mesh grill lock anti-clockwise (6).

# Slide System **Explanation**

## **Winter**

For spread width 6 meters.



Pavement setting (2 meters).



## **Ice Melts**

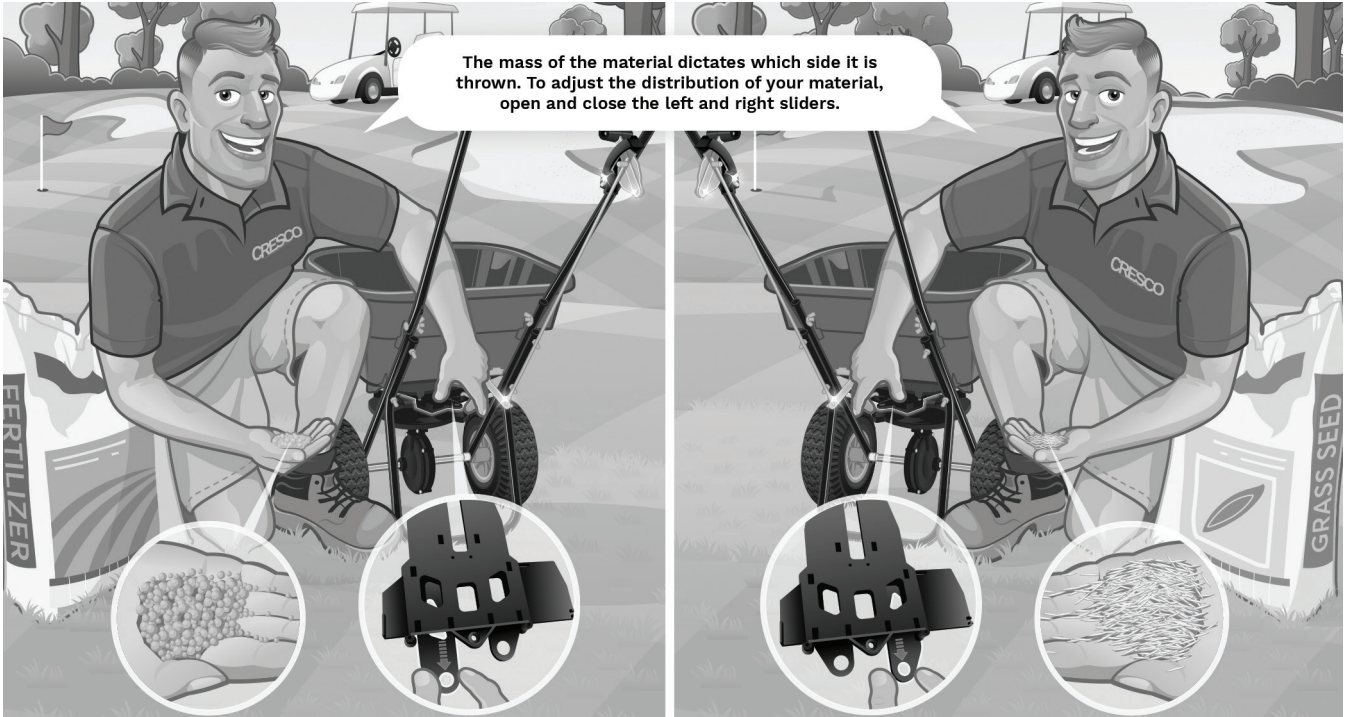


## **Summer**

The summer slide system comes with 20 different settings and a border control. This slider provides control over the accuracy of your spreading.

Large/Heavy Materials

Small/Light Materials



## **Border Control**



To protect your borders simply slide the border control into position to cut off the left hand side of the spread pattern.



# Slide System **Explanation**



**SLIDE-SYSTEM  
TECHNOLOGY  
SETTINGS**

**TWO SEASONS.  
ONE SPREADER.**



PRODUCT		SUMMER SLIDER	SLIDER ADJUSTER SETTINGS	
	<b>POWDERED OR MICRO GRANULAR FERTILIZER</b>		<b>NO ADJUSTMENT OF EITHER SLIDER RECOMENDED</b>	
	<b>MEDIUM GRANULAR FERTILIZER</b>		<b>NO ADJUSTMENT OF EITHER SLIDER RECOMENDED</b>	
	<b>LARGE GRANULAR FERTILIZER</b>		<b>ADJUSTMENT OF THE LEFT SLIDER RECOMENDED 6-7 CLICKS</b>	
	<b>GRASS SEED OR VERY LIGHT MATERIALS</b>		<b>ADJUSTMENT OF THE RIGHT SLIDER RECOMENDED 3-4 CLICKS</b>	
	<b>PELLETED MATERIALS</b>		<b>ADJUSTMENT OF THE LEFT SLIDER RECOMENDED (SELECT CLOSED)</b>	
	<b>LARGE GRANULAR ICE MELTS</b>		<b>ADJUSTMENT OF THE LEFT SLIDER RECOMENDED (SELECT CLOSED)</b>	
<b>WINTER SLIDER</b>				
<b>** Please note this chart is a guide only. Due to variations in the spreading characteristics of materials, accurate calibration should be carried out by the operator for each different material being applied. **</b>				
	<b>SHARP SAND</b>		<b>FULL OR REDUCED WIDTH SLIDER OPTION RECOMENDED</b>	
	<b>FLOWABLE SAND / SOIL MIX</b>		<b>FULL SLIDER WIDTH USE RECOMENDED</b>	
	<b>COARSE MARINE SALT</b>		<b>FULL OR REDUCED WIDTH SLIDER OPTION RECOMENDED</b>	
	<b>ROCK SALT</b>		<b>FULL SLIDER WIDTH USE RECOMENDED</b>	
	<b>GRIT MATERIALS</b>		<b>FULL SLIDER WIDTH USE RECOMENDED</b>	

[WWW.CRESCOSPREADERS.COM](http://WWW.CRESCOSPREADERS.COM)

DMMP Limited is not responsible for misapplication due to incorrect use or incorrect calibration of Cresco spreaders, and any other DMMP Limited spreader brands.

For calibration information please refer to "how to calibrate" section on the Cresco website.

# How to use the **Cresco 30**

## How to Apply Fertilizer to your lawn like a pro in four steps!

**Step 1:** Understanding the application rate and settings

**Step 2:** Preparing the Spreader

**Step 3:** Walking Patterns for the optimum application

**Step 4:** Cleaning & Maintenance

## Step 1: Understand the application rate and settings

### Application Rate Settings

Check the back of the fertilizer bag to find out the recommended G/m<sup>2</sup> and spreader application setting.

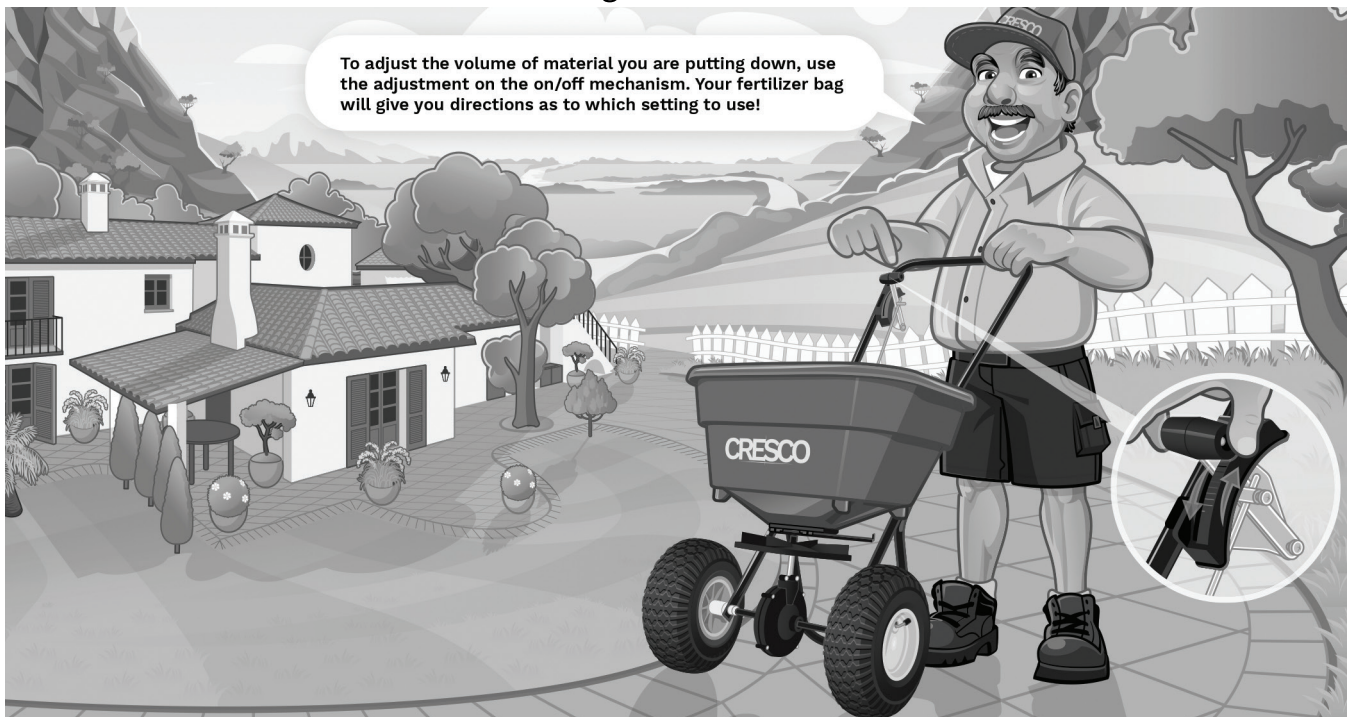


If the spreader setting is not on the back of the bag, please get in touch with your fertilizer bag provider.



I need a volume setting for my Cresco Spreader.....

Set the handle to the correct setting.



If you are unable to find the required Cresco volume setting, please visit, [www.crescospreaders.com](http://www.crescospreaders.com)

# How to use the Cresco 30

## Spread Pattern Settings

Once you have the correct application rate, you will need to check that the spread of material is even on both sides of the spread pattern.

To balance the spread pattern for your material, check online or with your fertilizer or seed provider.

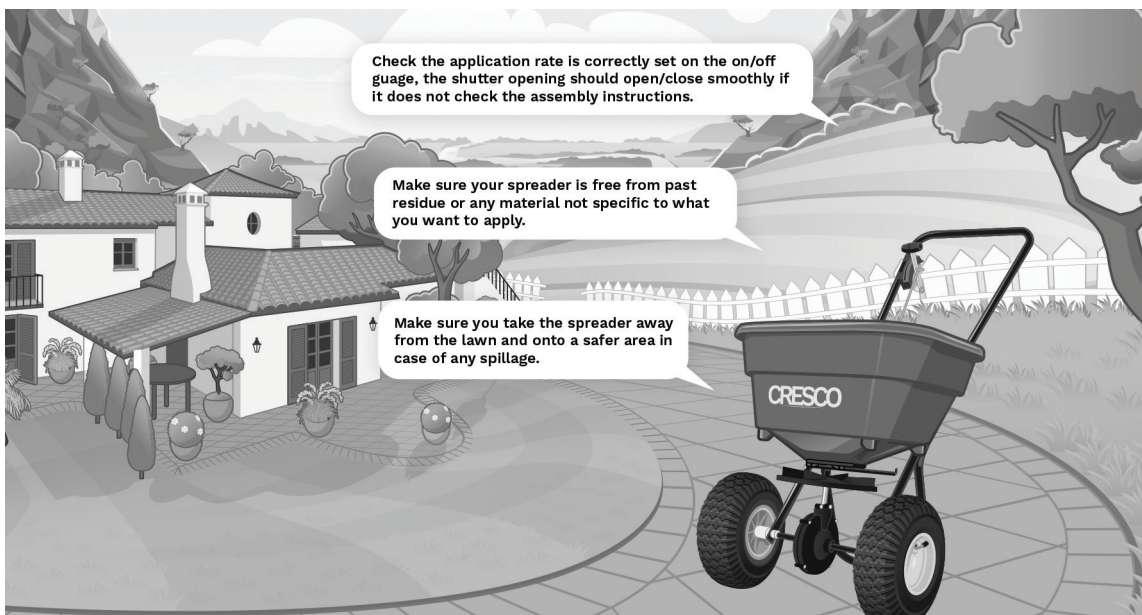
For a quick reference, please refer to our guide on the previous page



The chart is titled "CRESCO SLIDE-SYSTEM TECHNOLOGY SETTINGS" and "TWO SEASONS. ONE SPREADER." It provides a reference for slider adjustments based on the product type. The chart is organized into three columns: PRODUCT, SUMMER SLIDER, and SLIDER ADJUSTER SETTINGS. The first row is for "POWDERED OR MICRO GRANULAR FERTILIZER", and the second row is for "MEDIUM GRANULAR FERTILIZER".

PRODUCT	SUMMER SLIDER	SLIDER ADJUSTER SETTINGS
POWDERED OR MICRO GRANULAR FERTILIZER		NO ADJUSTMENT OF EITHER SLIDER RECOMENDED 
MEDIUM GRANULAR FERTILIZER		NO ADJUSTMENT OF EITHER SLIDER RECOMENDED 

## Step 2: Preparing the Spreader



Check the material to be applied is dry and free flowing to ensure it will flow freely through the hopper. Make sure your application rate and spread pattern settings are correct, **close the application hole fully** and then pour in your material.

## How to use the **Cresco 30**

Your outlet hole should look like this you pour in any material.



It is preferable to spread when the weather is dry, however a rain cover can be added to your spreader to ensure the material in your hopper is not exposed to moisture.

Scan for accessories:



**WARNING \*\*Do not pour material in the hopper when the application holes are open as it can lead to spillages or leaks that can damage the area. Do not open the gauge until you are over the area you want to spread and are moving at a brisk walk\*\*\***

### **Step 3: Walking Patterns for the optimum application (For Fertilizer Only)**

There are two methods of effective spreading, longitudinal fertilizer spreading and cross sectional fertilizer spreading.

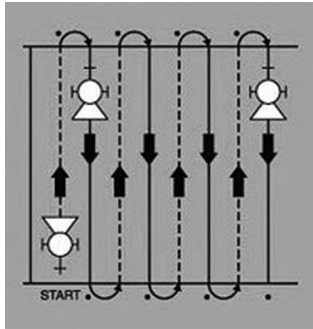
**When applying fertilizer please make sure you walk at 3mph and keep the hopper in a stable, upright position.**

# How to use the Cresco 30

## Longitudinal Fertilizer Spreading

½ the application rate suggested on the back of your fertilizer bag

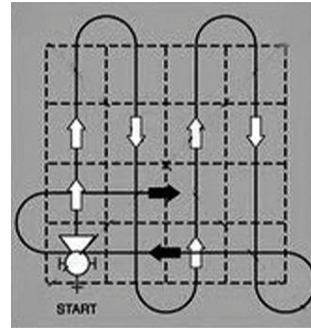
Cover the area as shown by going over your tire marks left on the previous pass



## Cross Sectional Fertilizer Spreading

½ the application rate suggested on the back of your fertilizer bag

Cover the area as shown making the second pass at the edge of your spread pattern or where the fertilizer thrown begins to feather.



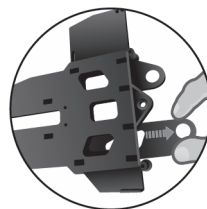
## Step 4: Cleaning and Maintenance

**CLEANING THE SPREADER THOROUGHLY WILL SIGNIFICANTLY ENHANCE THE LIFESPAN OF YOUR SPREADER AND IMPROVE IT'S ABILITY TO SPREAD EVENLY NEXT TIME YOU USE IT.**

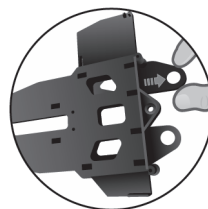


## Calibration Setting Guide

Speed		05mm - 1mm			1mm - 2mm			3mm - 5mm		
Mph	3	3.5	3.5	4.0	4.0	4.0	4.5	4.5	4.5	4.5
Kph	4.828	20	35	20	35	50	20	35	50	50
Metres p/Sec	1.34	10	10	10	10	10	10	10	10	10
Product		13.4	13.4	13.4	13.4	13.4	13.4	13.4	13.4	13.4
Width	Metres	47	47	54	54	54	60	60	60	60
Application Rate	Grams /Sq M	938	1,876	938	1,876	3,015	938	1,876	1,876	3,015
Run Time	Secs	8.5	11	14	11	19.5	13	18	16 (X2)	
Distance	metres	-	-	-	-	-	-	-	-	-
Area	Sq Metres	-	-	-	-	-	-	-	-	-
Target Weight	Grams	-	-	-	-	-	-	-	-	-
Setting										
Slider Position										



**Left hand slider adjuster**



**Right hand slider adjuster**

LHS (Left hand slider adjuster) is recommended to be engaged when spreading large sized granular materials to provide a more uniform distribution on the left and right side of the spread pattern. Conversely with very light materials (e.g. grass seed) engaging the RHS (Right hand slider adjuster) will be similarly beneficial.

The manufacturer cannot be held responsible for any variations in sq. metre application volumes, or spread width differences, due to possible variations in materials, application conditions at the time and different operator application techniques.

\*Do not spread Fertiliser or seed materials with the winter slider\*

**This chart should be used as a guide only.**



## 3-Year **Limited Warranty**

DMMP Ltd. warrants this product free of defects in original workmanship and materials for a period of 3 Years to the end user with the original dated purchase receipt.

If a manufacturing non-conformance is found, DMMP Ltd. will repair or replace the part(s) or product at its discretion at no charge provided the failure is not the result of incorrect installation, mishandling, misuse, tampering, or normal wear and tear as determined by DMMP Ltd.

DMMP Ltd. at its discretion may require that the part(s) or product be returned along with the original purchase receipt at owners' expense for examination and compliance with the terms of this warranty.

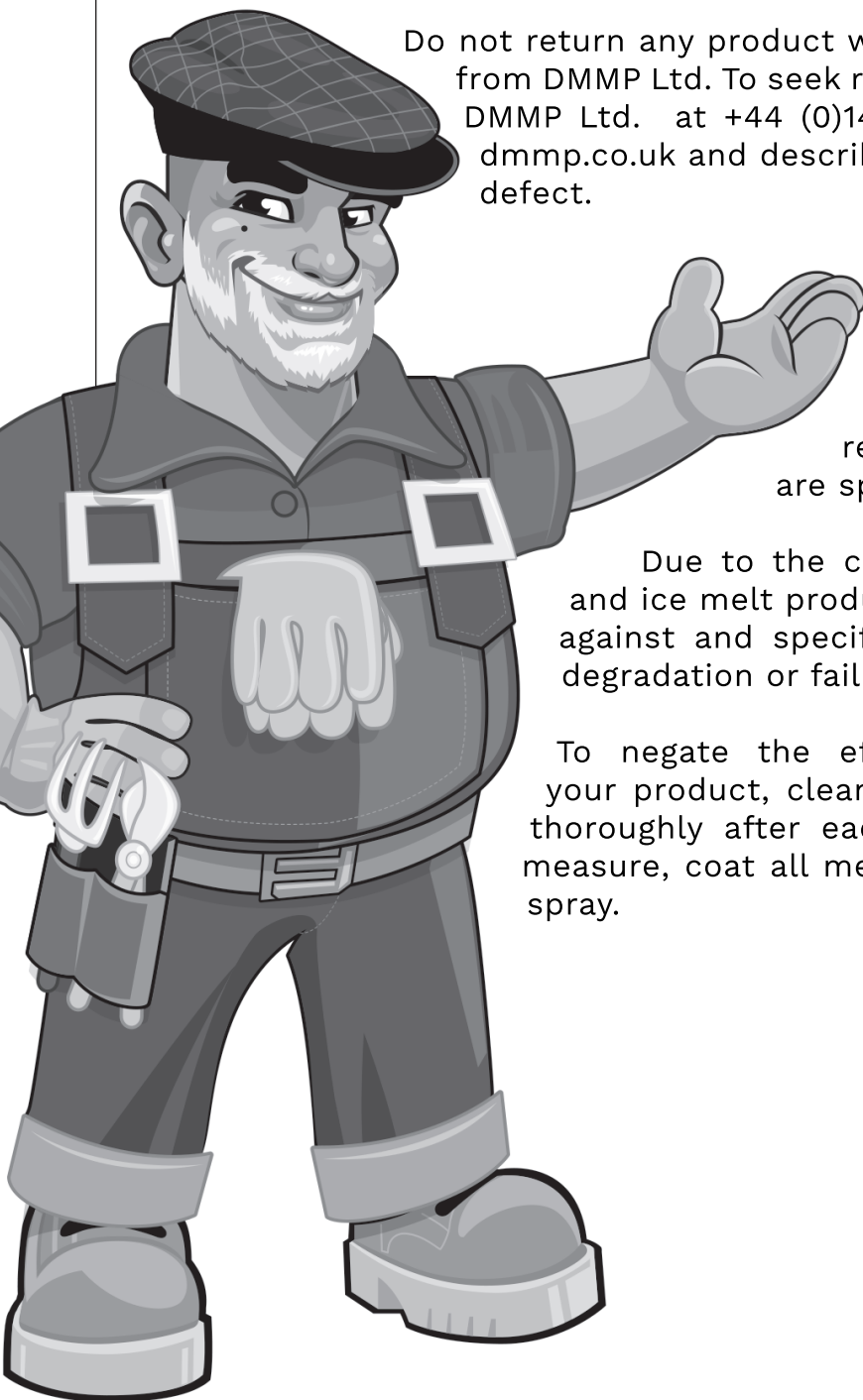
Do not return any product without first receiving authorization from DMMP Ltd. To seek remedy under this warranty, contact DMMP Ltd. at +44 (0)1455 825 400 or email us at [info@dmmp.co.uk](mailto:info@dmmp.co.uk) and describe the nature of the manufacturing defect.

### **SPECIFIC LIMITATIONS:**

This warranty covers only the part(s) or product; any labour charges associated with repair or replacement of nonconformances are specifically excluded.

Due to the corrosive nature of most fertilizers and ice melt products, DMMP Ltd makes no warranty against and specifically excludes part(s) or product degradation or failure due to corrosion or its effects.

To negate the effects of corrosive materials on your product, clean and dry your spreader or seeder thoroughly after each use. As a further preventative measure, coat all metal parts with a light oil or silicon spray.



# Other Cresco Products

Product / Season		Unique Selling Points	
 <b>Cresco 1</b>  Code: CR001 	Ergonomic arm-rest handle for easy holding		Large 2Kg Hopper 
 <b>Cresco 5</b>  Code: CR005 	New heavy duty gearbox		Easy to use on/off system 
 <b>Cresco 10SW</b>  Code: CR10SW 	Cushioned on/off lever with solid rod linkage		Large moulded wheels 
 <b>Cresco 20SW</b>  Code: CR20SW 	Cushioned on/off lever with solid rod linkage		Pneumatic Wheels 
 <b>Cresco SRS</b> Code: CRSRS 	Seed Plate Bag Included with 11 Seed Plates		Strong row marker mounting 
 <b>Heavy Duty Snow Shovel</b> Code: H464P 	Powder coated steel tubed handle		Large comfortable ergonomic grip 
 <b>Wide Snow Clearer</b> Code: H611 	Steel blade		Steel edge to increase cutting power and longevity 
 <b>3 in 1 Foldable Snow Shovel</b> Code: HZS212 	Anodised aluminium head		Telescopic anodised aluminium handle 
 <b>Cresco Snow Blaster</b> Code: H595 	Two grip design makes snow removal easy and minimises lifting and stooping		Wave ribbed design reinforces blade strength 
 <b>Polar Tough Snow Plough</b> Code: YH74900 	Helps manage snow accumulation		Reduces labour costs compared to a shovel 